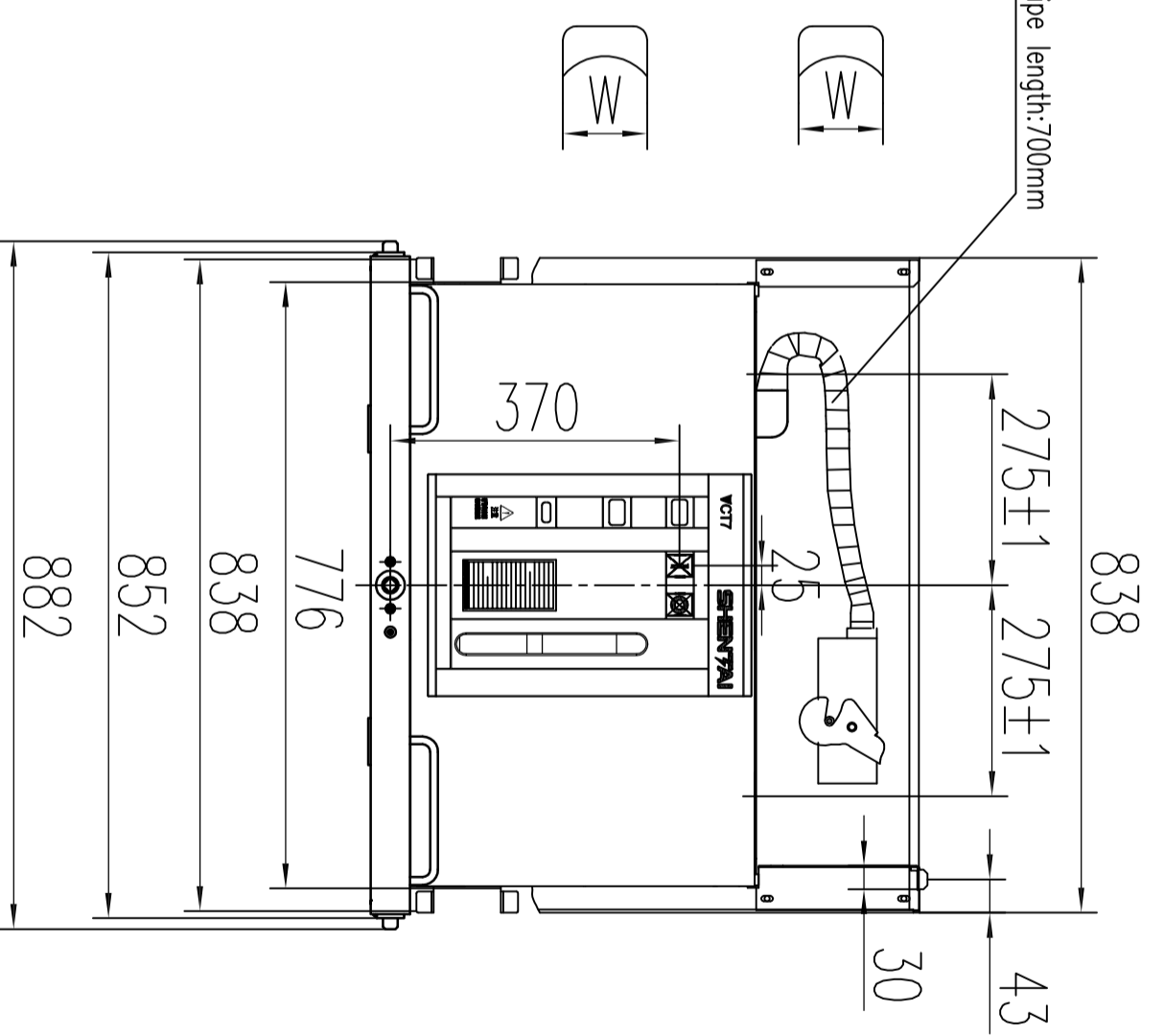
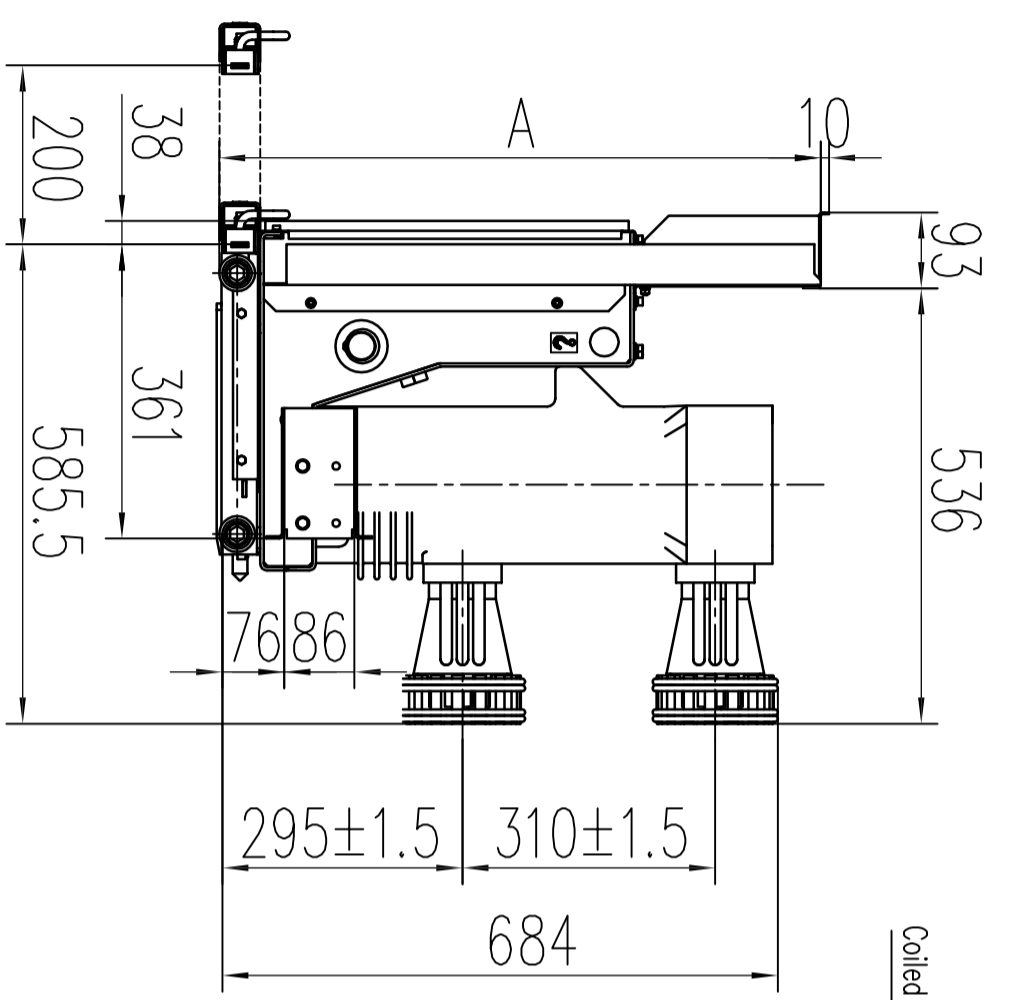


Table

Rated voltage kV	Rated current A	Rated short-circuit breaking current kA	P (mm)	A (mm)	B (mm)	C (mm)	D (mm)	W (mm)	Coiled pipe length,mm
12	630	20, 25, 31.5	210	638	638	652	682	φ35	500
	1250	25, 31.5, 40						φ49	
	1600	25, 31.5, 40						φ55	
	630	20, 25, 31.5						φ35	
1250	1250	25, 31.5, 40	275	838	838	852	882	φ49	700
	1600	25, 31.5, 40						φ55	

Note: The standard 58-pin aviation plug is available.

										VCT7-12	
										Indoor HV AC vacuum circuit breaker	
										S	
										SCDLE	
										1/4	
										CHINT Electric Co., LTD	



Rated voltage (kV)	Rated current (A)	Rated short circuit break current (kA)	A (mm)		W (mm)		Advance travel (mm)
			696.5	727.5	Ø79	Ø109	
12	1600, 2000	25, 31.5, 40	696.5	727.5	Ø79	Ø109	200
	2500, 3150, 4000						

Client	Contract No.													
Mark	Qty.	Changed document No.	Signature	Date	Mark	Qty.	Changed document No.	Signature	Date	Mark	Qty.	Changed document No.	Signature	Date
Designed by														
Checked by														
Process designed by														
Standardized by														
Approved by														
Authorized by														
Refer Code										VCT7-12				
Indoor HV AC vacuum circuit breaker										Revision Mark		Qty.	Scale	
										S A				
Page:										Of:				
CHINT Electric CO.,LTD														